

# Клапан обратный серии **SCV30**

## Технические характеристики



- |                                    |  |                                       |                                  |
|------------------------------------|--|---------------------------------------|----------------------------------|
| <b>Архангельск</b> (8182)63-90-72  | <b>Калининград</b> (4012)72-03-81      | <b>Новосибирск</b> (383)227-86-73     | <b>Сочи</b> (862)225-72-31       |
| <b>Астана</b> +7(7172)727-132      | <b>Калуга</b> (4842)92-23-67           | <b>Омск</b> (3812)21-46-40            | <b>Ставрополь</b> (8652)20-65-13 |
| <b>Астрахань</b> (8512)99-46-04    | <b>Кемерово</b> (3842)65-04-62         | <b>Орел</b> (4862)44-53-42            | <b>Сургут</b> (3462)77-98-35     |
| <b>Барнаул</b> (3852)73-04-60      | <b>Киров</b> (8332)68-02-04            | <b>Оренбург</b> (3532)37-68-04        | <b>Тверь</b> (4822)63-31-35      |
| <b>Белгород</b> (4722)40-23-64     | <b>Краснодар</b> (861)203-40-90        | <b>Пенза</b> (8412)22-31-16           | <b>Томск</b> (3822)98-41-53      |
| <b>Брянск</b> (4832)59-03-52       | <b>Красноярск</b> (391)204-63-61       | <b>Пермь</b> (342)205-81-47           | <b>Тула</b> (4872)74-02-29       |
| <b>Владивосток</b> (423)249-28-31  | <b>Курск</b> (4712)77-13-04            | <b>Ростов-на-Дону</b> (863)308-18-15  | <b>Тюмень</b> (3452)66-21-18     |
| <b>Волгоград</b> (844)278-03-48    | <b>Липецк</b> (4742)52-20-81           | <b>Рязань</b> (4912)46-61-64          | <b>Ульяновск</b> (8422)24-23-59  |
| <b>Вологда</b> (8172)26-41-59      | <b>Магнитогорск</b> (3519)55-03-13     | <b>Самара</b> (846)206-03-16          | <b>Уфа</b> (347)22948 -12        |
| <b>Воронеж</b> (473)204-51-73      | <b>Москва</b> (495)268-04-70           | <b>Санкт-Петербург</b> (812)309-46-40 | <b>Хабаровск</b> (4212)92-98-04  |
| <b>Екатеринбург</b> (343)384-55-89 | <b>Мурманск</b> (8152)59-64-93         | <b>Саратов</b> (845)249-38-78         | <b>Челябинск</b> (351)202-03-61  |
| <b>Иваново</b> (4932)77-34-06      | <b>Набережные Челны</b> (8552)20-53-41 | <b>Севастополь</b> (8692)22-31-93     | <b>Череповец</b> (8202)49-02-64  |
| <b>Ижевск</b> (3412)26-03-58       | <b>Нижний Новгород</b> (831)429-08-12  | <b>Симферополь</b> (3652)67-13-56     | <b>Ярославль</b> (4852)69-52-93  |
| <b>Казань</b> (843)206-01-48       | <b>Новокузнецк</b> (3843)20-46-81      | <b>Смоленск</b> (4812)29-41-54        |                                  |

Единый адрес для всех регионов: [skb@nt-rt.ru](mailto:skb@nt-rt.ru) || [www.s-lok.nt-rt.ru](http://www.s-lok.nt-rt.ru)

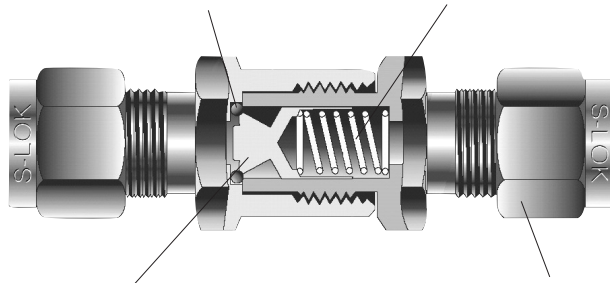
# SCV30 Series For working pressure up to 3000 psig(206bar)

### O-ring Seals

-Ensures Valve closes bubble tight

### Fixed Cracking Pressures

-From 1/3psi to 25psi



### Back stopped Poppet

-Minimize Spring stress

### Various End Connections

-include S-LOK Tube Fittings  
-NPT & ISO Male/Female Threads



## Features

- Pressure rating up to 3,000psig (206bar) @70°F (21°C).
- Temperature rating up to 375°F (191°C) with Standard Viton O-ring.
- Choice of materials : Standard S316 and Brass.
- Cracking pressures include : 1/3, 1, 3, 10, 25, 50psi.
- Heat code traceability.
- Every valve is 100% factory tested for cracking and reseal.

## Technical Data

Valve Series	SCV1, SCV2, SCV3,SCV4	SCV5, SCV6
Max. Working Pressure @70°F (21°C)	S316 and Brass 3000psi (206bar)	S316: 2000psi (137bar) Brass: 1500psi (103bar)
Operating Temperature Range	Viton : -10°F to 375°F (-23°C to 190°C) NBR : -4°F to 221°F (-20°C to 105°C)	
Nominal Cracking Pressure	1/3, 1, 3, 10, 25, 50psi	

## Cracking, Reseal and Back Pressure

### Cracking Pressure

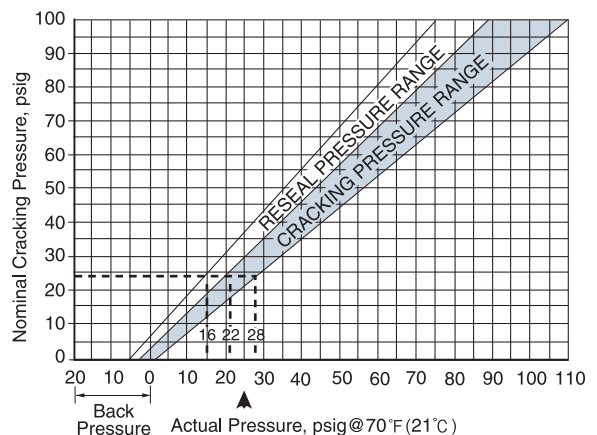
The upstream pressure at which a detectable flow is Measured. The Check valve is actuated when the pressure difference between the inlet and the outlet reaches the range of cracking pressure.

### Reseal Pressure

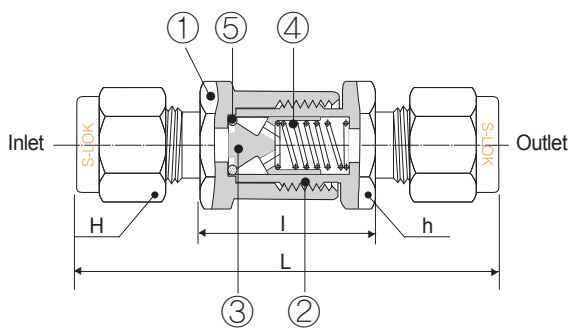
The downstream pressure at which the check valve closes bubble-tight. The Check valves that have higher cracking pressure can be resealed to bubble-tight by the spring force. The reseal pressure is the pressure at the same flow direction, but lower than the cracking pressure.

### Back Pressure

The Check valves that have cracking pressure 5psig(0.34bar) and lower may not be able to return to the bubble-tight seal. This may require back pressure to press the seal to form a bubble-tight contact in addition to the spring force.



**Note** -When the check valve is not actuated for a period of time, it may require initially crack at higher than the above cracking pressure ranges.  
-Check valves are designed for directional flow control only. Therefore **HANSUN check valves** should never be used as code Safety relief devices.



Materials of Construction

Item	Description	Valve Body Materials	
		S316	Brass
1	Body	S316/A479, A276	Brass
2	Connector		Brass
3	Poppet	S316/A479, A276	Brass
4	Spring	S302	
5	O-ring	Viton	

\* Silicone-based Lubricant for poppet.  
Wetted parts are listed in orange color.

Ordering Information and Dimensions

Basic Ordering Number	Orifice mm(inch)	Cv	End Connections Inlet/Outlet	Dimensions (mm)			
				h	H	L	I
SCV1	4.8 (0.19)	0.16	1/8" S-LOK	15.88(5/8)	11.11(7/16)	55.60(2.19)	25.00(0.98)
			1/8" Male NPT		-	44.40(1.75)	-
			1/8" Female NPT		-	46.50(1.83)	-
		0.47	1/4" S-LOK		14.29(9/16)	60.00(2.36)	25.00(0.98)
			6mm S-LOK		14.00		
			1/4" Male NPT   1/4" S-LOK		14.29(9/16)		
M-4N	-	53.40(2.10)	-				
SCV2	7.1 (0.28)	1.48	1/4" Female NPT	19.05(3/4)	-	56.80(2.24)	-
			3/8" S-LOK		17.46(11/16)	65.50(2.58)	27.10(1.07)
			10mm S-LOK		19.00		
			3/8" Male NPT		-	55.50(2.19)	-
SCV3	10.0 (0.39)	1.7	3/8" Female NPT	22.22(7/8)	-	63.80(2.51)	-
			1/2" S-LOK		22.22(7/8)	80.20(3.16)	36.20(1.43)
			12mm S-LOK		22.00		
			1/2" Male NPT		-	74.40(2.93)	-
SCV4	13.5 (0.53)	2.6	1/2" Female NPT	28.58(1-1/8)	-	84.70(3.33)	-
			5/8" S-LOK		25.40( 1 )	91.80(3.61)	48.10(1.89)
SCV5	16.0 (0.63)	5.2	3/4" S-LOK	31.75(1-1/4)	28.58(1-1/8)	110.70(4.35)	67.00(2.64)
			3/4" Male NPT		-	105.30(4.15)	
			3/4" Female NPT		-	103.00(4.06)	-
SCV6	18.0 (0.71)	8.0	1" S-LOK	34.93(1-3/8)	38.1(1-1/2)	121.10(4.77)	68.40(2.69)
			1" Male NPT		-	116.20(4.57)	
			1" Female NPT		41.28(1-5/8)	-	111.40(4.39)

• Spring Cracking, Reseal and Back • Pressure-Temperature Ratings

Pressure at @70°F(21°C)

Ratings based on Viton O-ring in S316 stainless steel valves and NBR O-ring in brass valves.

Spring Nominal Cracking Pressure		Cracking Pressure Ranges				Reseal Pressure	
psig	bar	psig	bar	psig	bar	psig	bar
1/3	0.02	0	0	3	0.21	Up to 6 back pressure	0.41
1	0.07	0	0	4	0.28	Up to 5 back pressure	0.34
3	0.21	2	0.14	7	0.48	Up to 4 back pressure	0.28
10	0.69	7	0.48	15	1.03	3	0.21
25	1.72	20	1.38	30	2.07	17	1.17
50	3.45	40	2.76	60	4.14	35	2.41
75	5.17	60	4.14	90	6.2	53	3.65
100	6.89	80	5.51	120	8.27	70	4.82

Series	SCV1, SCV2, SCV3, SCV4 SCA1, SCA2, SCA3 SCP1, SCP2		SCV5, SCV6		S316 SCH Series	
	S316	Brass	S316	Brass	SCH1, SCH2	SCH3
Temperature °F(°C)	Working Pressure, psig (bar)					
-10°F to 100°F (-23°C to 37°C)	3000(206)	3000(206)	2000(137)	1500(103)	6000(413)	5000(344)
200°F (93°C)	2575(177)	2600(179)	1715(118)	1300(89)	5160(355)	4290(295)
250°F (121°C)	2450(168)	2405(165)	1630(112)	1250(86)	4910(338)	4080(281)
300°F (148°C)	2325(160)	-	1545(106)	-	4660(321)	3875(267)
375°F (190°C)	2185(150)	-	1450(99.9)	-	4375(301)	3640(250)
400°F (204°C)	-	-	-	-	4280(294)	3560(245)



- |                                    |  |                                       |                                  |
|------------------------------------|--|---------------------------------------|----------------------------------|
| <b>Архангельск</b> (8182)63-90-72  | <b>Калининград</b> (4012)72-03-81      | <b>Новосибирск</b> (383)227-86-73     | <b>Сочи</b> (862)225-72-31       |
| <b>Астана</b> +7(7172)727-132      | <b>Калуга</b> (4842)92-23-67           | <b>Омск</b> (3812)21-46-40            | <b>Ставрополь</b> (8652)20-65-13 |
| <b>Астрахань</b> (8512)99-46-04    | <b>Кемерово</b> (3842)65-04-62         | <b>Орел</b> (4862)44-53-42            | <b>Сургут</b> (3462)77-98-35     |
| <b>Барнаул</b> (3852)73-04-60      | <b>Киров</b> (8332)68-02-04            | <b>Оренбург</b> (3532)37-68-04        | <b>Тверь</b> (4822)63-31-35      |
| <b>Белгород</b> (4722)40-23-64     | <b>Краснодар</b> (861)203-40-90        | <b>Пенза</b> (8412)22-31-16           | <b>Томск</b> (3822)98-41-53      |
| <b>Брянск</b> (4832)59-03-52       | <b>Красноярск</b> (391)204-63-61       | <b>Пермь</b> (342)205-81-47           | <b>Тула</b> (4872)74-02-29       |
| <b>Владивосток</b> (423)249-28-31  | <b>Курск</b> (4712)77-13-04            | <b>Ростов-на-Дону</b> (863)308-18-15  | <b>Тюмень</b> (3452)66-21-18     |
| <b>Волгоград</b> (844)278-03-48    | <b>Липецк</b> (4742)52-20-81           | <b>Рязань</b> (4912)46-61-64          | <b>Ульяновск</b> (8422)24-23-59  |
| <b>Вологда</b> (8172)26-41-59      | <b>Магнитогорск</b> (3519)55-03-13     | <b>Самара</b> (846)206-03-16          | <b>Уфа</b> (347)22948 -12        |
| <b>Воронеж</b> (473)204-51-73      | <b>Москва</b> (495)268-04-70           | <b>Санкт-Петербург</b> (812)309-46-40 | <b>Хабаровск</b> (4212)92-98-04  |
| <b>Екатеринбург</b> (343)384-55-89 | <b>Мурманск</b> (8152)59-64-93         | <b>Саратов</b> (845)249-38-78         | <b>Челябинск</b> (351)202-03-61  |
| <b>Иваново</b> (4932)77-34-06      | <b>Набережные Челны</b> (8552)20-53-41 | <b>Севастополь</b> (8692)22-31-93     | <b>Череповец</b> (8202)49-02-64  |
| <b>Ижевск</b> (3412)26-03-58       | <b>Нижний Новгород</b> (831)429-08-12  | <b>Симферополь</b> (3652)67-13-56     | <b>Ярославль</b> (4852)69-52-93  |
| <b>Казань</b> (843)206-01-48       | <b>Новокузнецк</b> (3843)20-46-81      | <b>Смоленск</b> (4812)29-41-54        |                                  |

**Единый адрес для всех регионов: [skb@nt-rt.ru](mailto:skb@nt-rt.ru) || [www.s-lok.nt-rt.ru](http://www.s-lok.nt-rt.ru)**