

Фланцевые клапанные блоки SBB

Технические характеристики



Архангельск (8182)63-90-72	Калининград (4012)72-03-81	Новосибирск (383)227-86-73	Сочи (862)225-72-31
Астана +7(7172)727-132	Калуга (4842)92-23-67	Омск (3812)21-46-40	Ставрополь (8652)20-65-13
Астрахань (8512)99-46-04	Кемерово (3842)65-04-62	Орел (4862)44-53-42	Сургут (3462)77-98-35
Барнаул (3852)73-04-60	Киров (8332)68-02-04	Оренбург (3532)37-68-04	Тверь (4822)63-31-35
Белгород (4722)40-23-64	Краснодар (861)203-40-90	Пенза (8412)22-31-16	Томск (3822)98-41-53
Брянск (4832)59-03-52	Красноярск (391)204-63-61	Пермь (342)205-81-47	Тула (4872)74-02-29
Владивосток (423)249-28-31	Курск (4712)77-13-04	Ростов-на-Дону (863)308-18-15	Тюмень (3452)66-21-18
Волгоград (844)278-03-48	Липецк (4742)52-20-81	Рязань (4912)46-61-64	Ульяновск (8422)24-23-59
Вологда (8172)26-41-59	Магнитогорск (3519)55-03-13	Самара (846)206-03-16	Уфа (347)22948 -12
Воронеж (473)204-51-73	Москва (495)268-04-70	Санкт-Петербург (812)309-46-40	Хабаровск (4212)92-98-04
Екатеринбург (343)384-55-89	Мурманск (8152)59-64-93	Саратов (845)249-38-78	Челябинск (351)202-03-61
Иваново (4932)77-34-06	Набережные Челны (8552)20-53-41	Севастополь (8692)22-31-93	Череповец (8202)49-02-64
Ижевск (3412)26-03-58	Нижний Новгород (831)429-08-12	Симферополь (3652)67-13-56	Ярославль (4852)69-52-93
Казань (843)206-01-48	Новокузнецк (3843)20-46-81	Смоленск (4812)29-41-54	

Единый адрес для всех регионов: skb@nt-rt.ru || www.s-lok.nt-rt.ru

Application & Installation

SOLUTIONS

S-LOK instrumentation products has the ultimate solutions for a compact range one-piece forged body Primary Isolation Valves, featuring a choice of end connections, body styles and valve technology

Applications

- Double block and bleed instrument isolation
- Gauge isolation
- Instrument drain
- Chemical injection connection
- Sample connection
- Chemical instrument interface
- Piping/instrument interface
- Direct mounting of instruments
- Remote mounting of instruments

Advantages

- More compact design
- Reduced weight
- Reduced height
- Reduced leakage points
- Reduced effect of system vibration
- Supporting bracket are not required
- Reduced bending moment acting on the vessel branch fitting weld
- Reduced installation cost
- Reduced gaskets and bolting

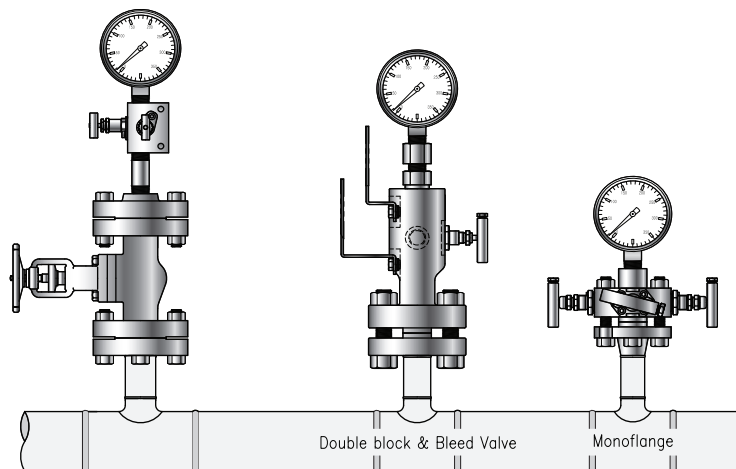
Market

- Offshore oil and gas production
- Offshore terminals
- Chemical, petro-chemical, refining
- Control panel manufactures
- Process/Power industry contractors
- Compressor manufactures
- LNG Carrier

Design codes

- ANSI/ASME B16.34 Material wall thickness
- ANSI/ASME B16.5 Flange dimensions
- ANSI/ASME B1.20.1 National pipe threads
- API 607/BS 6755 Fire tested

Integral Block & Bleed Valve Assembly



Conventional Assembly

Modular Valve

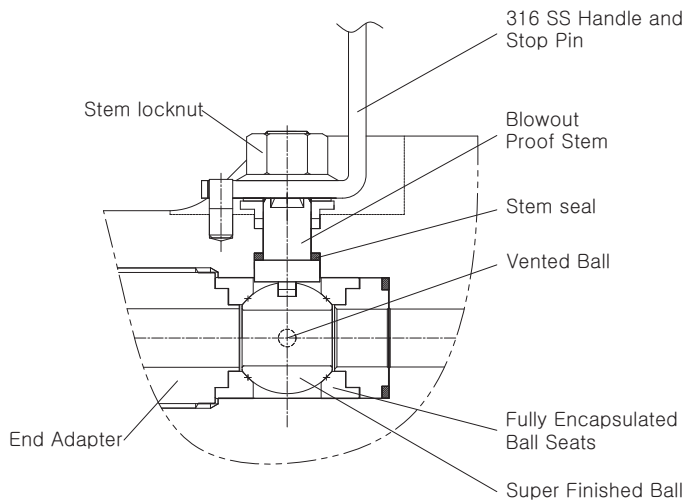
Ball and Globe Style Needle valves
Flange and Threads Connections
Integrally Forged Body

Monoflanges

Globe Style Needle Valves
Flange and Threads Connections
Slimline Integrally Forged Body

Specification

Ball Valve Specification

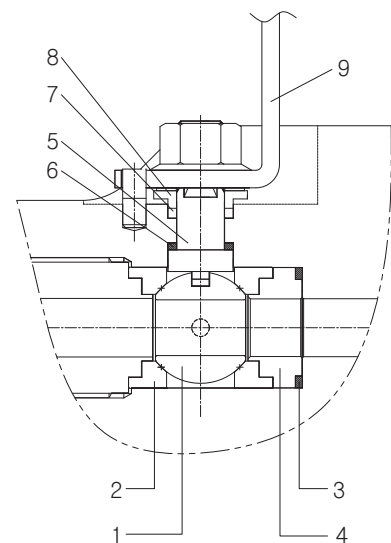


Features

- Stainless steel handle and positive machined stop.
- Full grip PVC handle sleeve.
- Blowout proof one-piece stem spindle.
- Low operating torque.
- Fully encapsulated extrusion and allow high working pressure.
- Super finished ball for low operating torque and long life.
- End adapter threads are fully isolated from process by primary and secondary static seals.
- Stem locknut is vibration resistant to avoid working loose.
- Color coded and function identified handles.
- Fire safe to API 607, BS 6755 part 2.
- Bore size available 0.37"(9.5mm), 0.55"(14mm).
- Ball seats choice of seat materials: PVDF, PTFE(virgin or filled), PCTFE or PEEK.
- Anti-static design as standard
- Pressure rating up to 10,000psig(690bar).
- Temperature rating -70.6°F to 482°F(-57°C TO 250°C).
- Optional: NACE Compliance, Handle Locking Device, Full bore size.

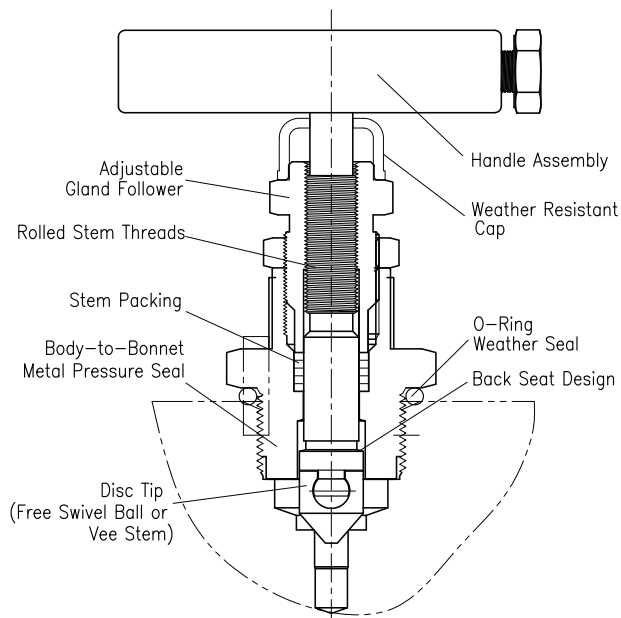
Part Description

Item	Description				
1	Vented Ball	4	Housing Static Seat	7	Gland Packing
2	Ball Seat	5	Stem	8	Gland
3	Seat Housing	6	Stem Seal	9	Handle Assembly



Specification

Needle Type Globe Valve

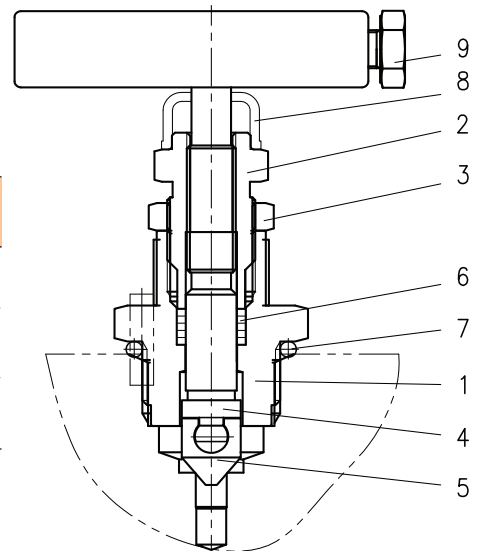


Features

- Rolled stem threads prevent galling. Stem threads are completely isolated from the process.
- Stem packing with Graphite or PTFE rings for bubble-tight seal.
- Stem tip construction : non-rotating self-centering, Anti-galling tip positive bubble-tight and field interchangeable rip.
- Backseat design provides secondary stem sealing and prevents stem blowout.
- Packing bolt allows easy access to adjust the packing gland.
- Robust bar handle is standard.
- Color coded and function label for easy identification.
- Firesafe to API 607, BS 6755 part2.
- Orifice size 0.2"(5mm).
- Pressure rating up to 10,000psig(690bar).
- Temperature rating -70.6°F to 1,022°F (-57°C to 550°C)
- Anti-Temper bonnets are available with a removable T-bar key to prevent unauthorized operation of vent valves.

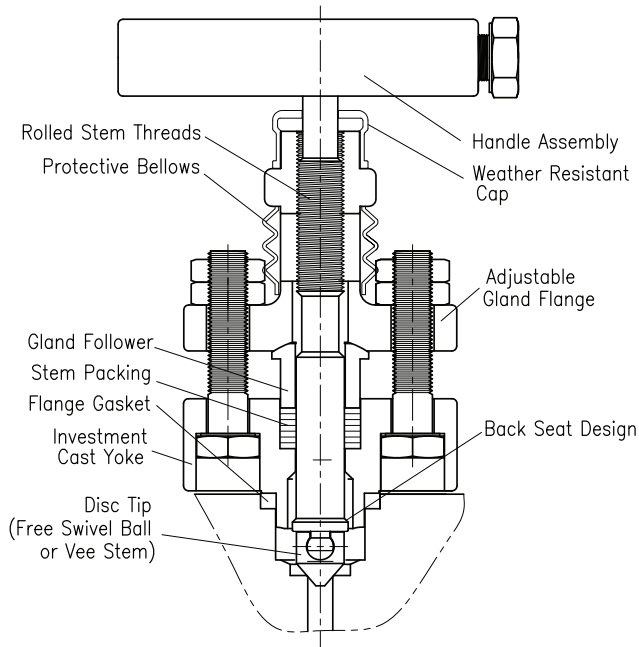
Part Description

Item	Description				
1	Bonnet	4	Stem	7	O-Ring Weather Seal
2	Gland Follower	5	Disc Tip	8	Weather Resistant CAP
3	Lock Nut	6	Stem Packing	9	Handle Assembly



Specification

Outside Screw and Yoke (QS&Y) Needle Type Globe Valve

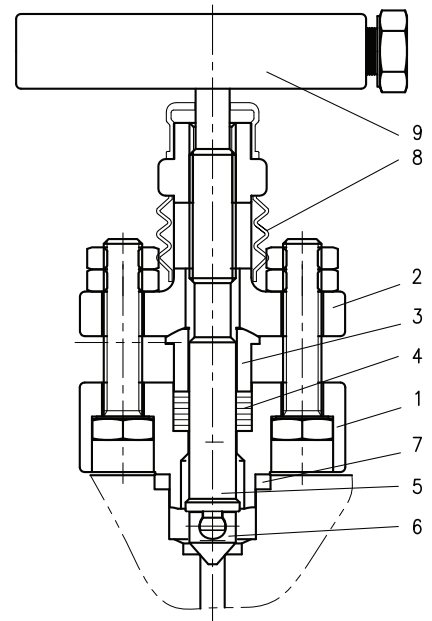


Features

- Rolled stem threads prevent galling.
- Stem threads are completely isolated from the process.
- Stem packing with Graphite or PTFE rings for bubble-tight seal.
- Bolted bonnet for strength and reliability.
- Stem tip construction: non-rotating self-centering, Anti-galling tip positive bubble-tight and field interchangeable tip.
- Flange gasket seal ensures a bubble-tight between body and bonnet
- Backseat design provides secondary stem sealing and prevents stem blowout
- Adjustable gland flange allows easy access to the packing gland, and packing adjustment for an effective stem seal.
- Investment cast yoke is precision casted for strength and perfect stem alignment.
- Robust bar handle is standard.
- Color coded and function label for easy identification.
- Firesafe to API 607, BS 6755 part2
- Orifice size 0.2"(5mm).
- Pressure rating up to 6,000psig (414bar)
- Temperature rating -70.6°F to 1,022°F (-57°C to 550°C)

Part Description

Item	Description				
1	York	4	Stem Packing	7	Flange Gasket
2	Gland Flange	5	Stem	8	Protective Bellows
3	Gland Follower	6	Disc Tip	9	Handle Assembly



Materials of Construction

Type	Description	Material				
Modular	Body / End Connector	A182 F51	A182 F316	A350 LF2	A105	UNS N04400
Monoflange		A182 F51	A182 F316	A350 LF2	A105	UNS N04400
Ball Valve	Ball	UNS-S31803	A479 TYPE316			UNS NO4400
	Stem	UNS-S31803	A479 TYPE316			UNS NO4400
	Retainer	UNS-S31803	A479 TYPE316			UNS NO4400
	Socket	UNS-S31803	A479 TYPE316		A105	UNS NO4400
	Ball Seat	PVDF,PTFE(virgin or filled), PCTFE or PEEK				
OS&Y Needle Type Globe Valve	Stem Tip	UNS-S31803	A564 TYPE630			UNS NO4400
	Stem	UNS-S31803	A479 TYPE316			UNS NO4400
	Bonnet	UNS-S31803	A479 TYPE316			UNS NO4400
	Yoke	A351 CF8M				
Needle Type Globe Valve	Stem Tip	UNS-S31803	A564 TYPE630			UNS NO4400
	Stem	UNS-S31803	A479 TYPE316			UNS NO4400
	Bonnet	UNS-S31803	A479 TYPE316			UNS NO4400

NOTE

Stainless steel is standard body material but such a Monel, Duplex, Super Duplex, Hasteloy, Inconel and other special material are available upon request



- | | | | |
|------------------------------------|--|---------------------------------------|----------------------------------|
| Архангельск (8182)63-90-72 | Калининград (4012)72-03-81 | Новосибирск (383)227-86-73 | Сочи (862)225-72-31 |
| Астана +7(7172)727-132 | Калуга (4842)92-23-67 | Омск (3812)21-46-40 | Ставрополь (8652)20-65-13 |
| Астрахань (8512)99-46-04 | Кемерово (3842)65-04-62 | Орел (4862)44-53-42 | Сургут (3462)77-98-35 |
| Барнаул (3852)73-04-60 | Киров (8332)68-02-04 | Оренбург (3532)37-68-04 | Тверь (4822)63-31-35 |
| Белгород (4722)40-23-64 | Краснодар (861)203-40-90 | Пенза (8412)22-31-16 | Томск (3822)98-41-53 |
| Брянск (4832)59-03-52 | Красноярск (391)204-63-61 | Пермь (342)205-81-47 | Тула (4872)74-02-29 |
| Владивосток (423)249-28-31 | Курск (4712)77-13-04 | Ростов-на-Дону (863)308-18-15 | Тюмень (3452)66-21-18 |
| Волгоград (844)278-03-48 | Липецк (4742)52-20-81 | Рязань (4912)46-61-64 | Ульяновск (8422)24-23-59 |
| Вологда (8172)26-41-59 | Магнитогорск (3519)55-03-13 | Самара (846)206-03-16 | Уфа (347)22948 -12 |
| Воронеж (473)204-51-73 | Москва (495)268-04-70 | Санкт-Петербург (812)309-46-40 | Хабаровск (4212)92-98-04 |
| Екатеринбург (343)384-55-89 | Мурманск (8152)59-64-93 | Саратов (845)249-38-78 | Челябинск (351)202-03-61 |
| Иваново (4932)77-34-06 | Набережные Челны (8552)20-53-41 | Севастополь (8692)22-31-93 | Череповец (8202)49-02-64 |
| Ижевск (3412)26-03-58 | Нижний Новгород (831)429-08-12 | Симферополь (3652)67-13-56 | Ярославль (4852)69-52-93 |
| Казань (843)206-01-48 | Новокузнецк (3843)20-46-81 | Смоленск (4812)29-41-54 | |

Единый адрес для всех регионов: skb@nt-rt.ru || www.s-lok.nt-rt.ru